



SOLAR CLIP

Greatly Improve the Freedom fo Wiring Design!

Greatly improve installation efficiency of field wiring without tools; No environmental pollution wastes; Neat and beautiful wiring

Three types of products with can put the cable on the inside and outside of the solar panel frame in parallel or crosswise

100% resin material; Eliminates concern of corrosion of dissimilar metals when using the clip and frame (no damage to the frame)

Use of polyoxymethylene resin material, with outdoor weather resistance protection for more than 20 years

Adjustable lock pin suitable for frames with different width of 20 - 35 mm; Firm and reliable

Application Examples



Inside the frame, wiring in parallel.



Outside the frame, wiring in cross.

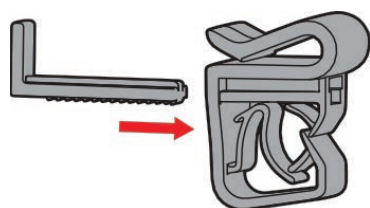


Outside the frame, wiring in parallel.



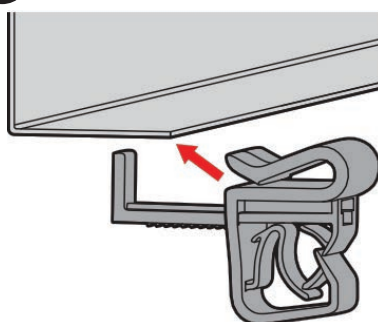
Installation Method of Solar Clip

1 Clip body assembly



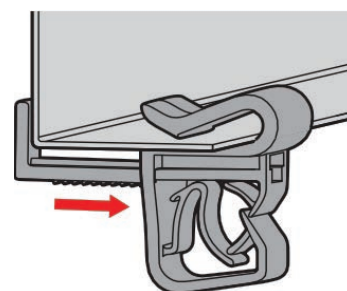
Insert the lock pin into the lock pin hole of the clip body as shown in the figure, with 1-2 times of "click" sound.

2 Clip mounting to the frame



Clamp the clip onto the solar panel frame.

3 Locking and fixing



Press the lock pin completely into the lock pin hole to finish the installation.

Ordering Information

- Material: Weather Resistant Polyoxymethylene
- Applicable frame width: 20mm - 35mm
- Applicable frame thickness: 1mm - 3mm
- Applicable cable number: 1 or 3 wires
- Applicable outer diameter of cable: 6.0mm - 7.5mm (applicable to 3.5, 5.5SQ*)



Part Number	Description	Color	Std. Pkg. Qty.
UCCAD-C130	Use outside the frame, wiring in cross, with lock pin.	Black	100
UCCPD-C130	Use outside the frame, wiring in parallel, with lock pin.		
UCCPU-C130	Use inside the frame, wiring in parallel, with lock pin.		
UCCDL-X130	Use outside the frame, spare lock pin.	Black	10
UCCUL-X130	Use inside the frame, spare lock pin.		

*Confirm the outer diameter of cable. When using, please confirm whether it is suitable for the actual application and use environment, then judge whether to when use it after confirmed.

Visit us at www.panduit.com

Contact Customer Service by email: cx-benelux@panduit.com
or by phone: 02 714 31 42 (B) - 020 487 45 81 (NL)

PANDUIT™

WAFL14--SA-UKE