

Pan-Way® Above Floor Raceway System

PANDUIT®

SPECIFICATION SHEET

specifications

Above Floor Raceway non-metallic multi-channel surface raceway shall be used to route, protect, and conceal data, voice, video, fiber optic and power cabling. The raceway shall be listed as suitable for use in applications up to 600 volts between conductors by Underwriters Laboratories, Inc. per standard 5A, and by Canadian Standards Association, Inc. per 22.2 no. 62.1-03, when screw secured and installed per instructions. A full line of fittings is available as well as a junction box to install a variety of communication and electrical devices. Four channel design separates cable types. Standard "screw-on" faceplates for data and power terminations shall be available. Above floor raceway will be manufactured from impact-resistant material with flammability rating of V-0 and must be tamper resistant yet, also allow access for moves, adds and changes. Above Floor Raceway finish shall be pure color, resist scratches and dents, will not peel or corrode and be available in three standard colors. Above Floor Raceway shall be optimized for use with the Panduit® Pan-Net and Net-Key Communication Systems.



technical information

Material:	Rigid PVC
Flammability:	UL94V-0 FT4
Voltage rating:	UL-5A 600VAC CSA C22.2 No. 62.1-03 600V
Approvals:	UL Listed 95425 (raceway) UL Listed E116129 (fittings)
NEC:	Article 388

key features and benefits

ADA Compliant	Meets 2010 American Disability Association standards by design
1" bend radius control fittings	Cables in the raceway will satisfy the minimum 1" bend radius requirement, Preventing the potential degradation of cable performance; meets TIA/EIA Standard and many warranty requirements
Tamper resistant	Difficult for untrained personnel to enter the raceway or remove faceplates; provides security for communication cabling and safety for power cabling
Designer profile	Aesthetically pleasing and matches a wide variety of decors with three standard color options available: IW (International White), BL (Black) or OS (Office Slate)
Non-metallic construction	Lightweight raceway reduces installer fatigue; solid color throughout profile will not chip peel, rust, corrode, or scratch; easy to cut reducing the need for special cutting devices; easy to snap together base and cover; high impact resistance; durable

applications

Pan-Way® Above Floor Surface Raceway is a multi-channel raceway which provides solutions for routing low voltage, fiber optic and/or power cabling over floors. Above Floor raceway can mount NEMA standard screw-on faceplates directly to the junction box and can transition to Panduit's T-70 raceway for cable routing along walls.

Above Floor Raceway* – 6 Foot Base and Cover

6 Foot: AFR4BCIW6

Above Floor Raceway Fittings

Fittings Coupler Fitting:	AFR4CCIW
Transition to T70 Fitting:	AFR4TRT70IW
Right Angle Fitting:	AFR4RAIW
End Cap Fitting:	AFR4ECIW
Junction Box:	AFR4JB2SIW

Faceplates and Accessories

Rectangular GFCI Outlet Faceplate:	CPGIW-2G
GFCI Adapter:	CFG4IW
GFCI Netkey Adapter:	NK4RMFIW
106 Style Outlet Faceplate:	CP106IW-2G
106 Adapter:	CF1064IWY
106 Netkey Adapter:	NK4106MFIW
Rectangular Outlet:	ERU20IW
106 Style Outlet:	CDU20IW

* Product listed in International White (IW). For other colors, replace IW with BL (Black) or OS (Office Slate).

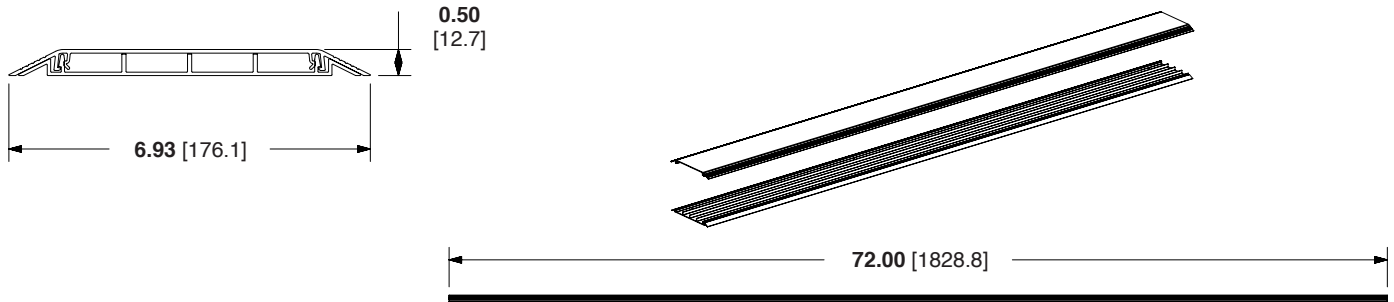
Pan-Way® Above Floor Raceway

Wire Fill Chart

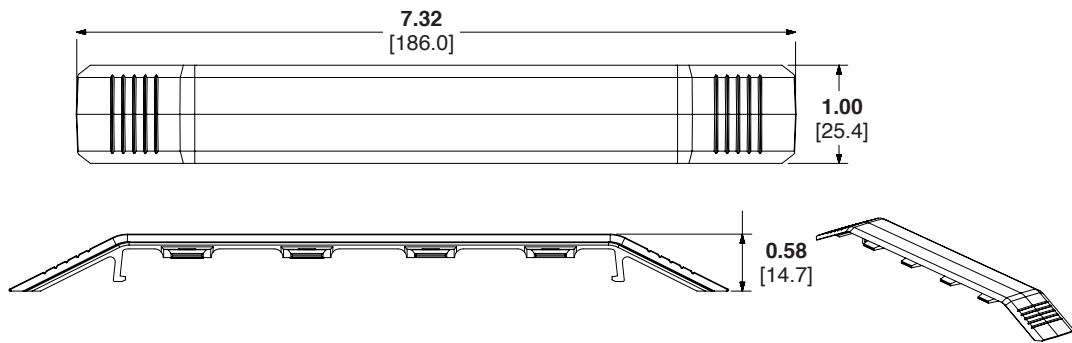
Raceway type and configuration	Fill Area (in 2)	electrical cables			Data Grade Cables										Coax Cables				Fiber Optic								
		14	12	10	24 AWG	24 AWG	24 AWG	24 AWG	24 AWG	24 AWG	24 AWG	24 AWG	24 AWG	24 AWG	24 AWG	24 AWG	24 AWG	24 AWG	24 AWG	24 AWG	24 AWG	24 AWG	24 AWG	24 AWG			
		THN/THWN/T90	0.111	0.13	0.164	0.193	0.225	0.24	0.289	0.3	0.33	0.24	0.275	0.242	0.175	RG6	RG59/u	2-Strand									
		UL Temp Rise Test	40%	60%	40%	60%	40%	60%	40%	60%	40%	60%	40%	60%	40%	60%	40%	60%	40%	60%	40%	60%	40%	60%	40%	60%	
		Fill	Fill	Fill	Fill	Fill	Fill	Fill	Fill	Fill	Fill	Fill	Fill	Fill	Fill	Fill	Fill	Fill	Fill	Fill	Fill	Fill	Fill	Fill	Fill	Fill	Fill
		Max	Max	Max	Spec	Max	Spec	Max	Spec	Max	Spec	Max	Spec	Max	Spec	Max	Spec	Max	Spec	Max	Spec	Max	Spec	Max	Spec	Max	Spec
AFR4 - Outer Channel (with screws)	0.337053	21	15	10	5	7	3	5	3	4	2	3	2	3	2	2	3	4	2	3	3	4	6	8			
AFR4 - Inner Channel	0.383826028	24	17	11	5	8	4	6	3	5	2	4	2	3	2	3	3	5	3	4	3	5	6	10			

Dimensions

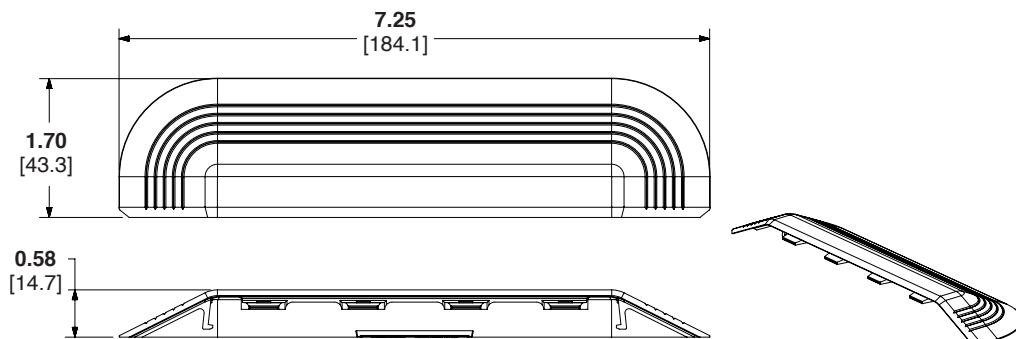
AFR48BC6



AFR4CC



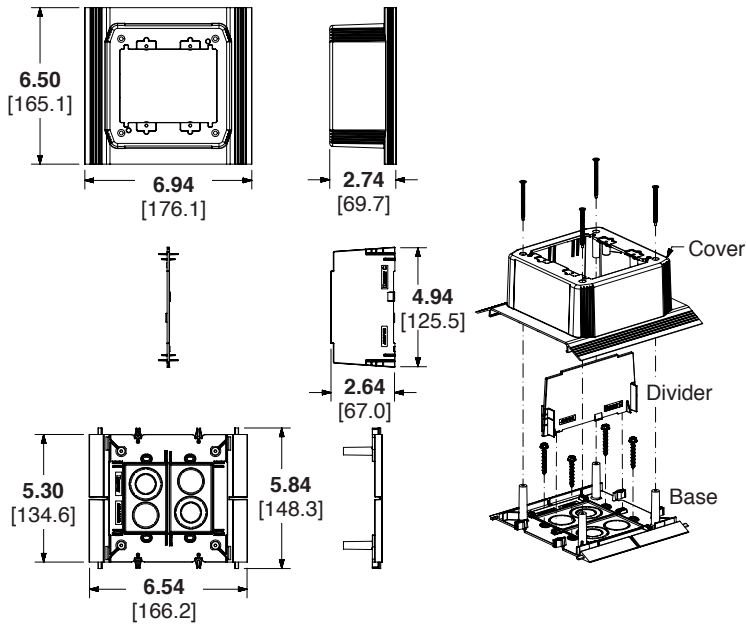
AFR4EC



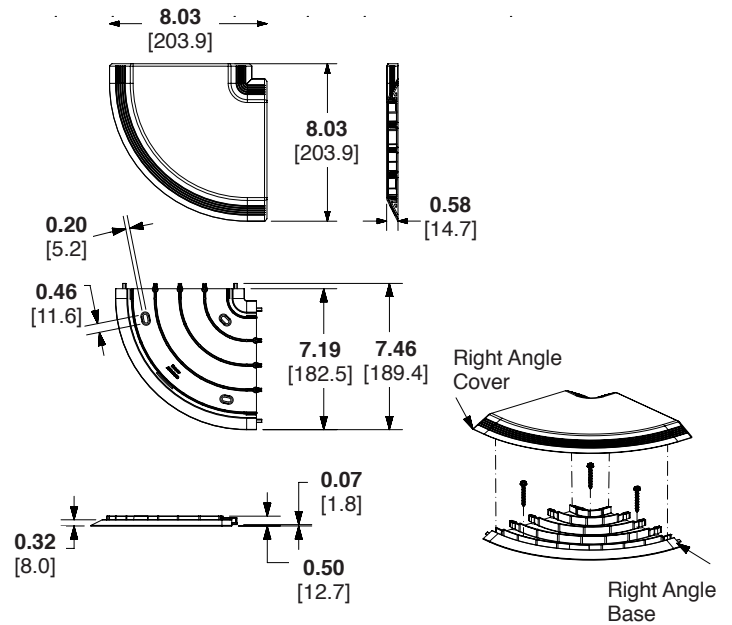
Pan-Way® Above Floor Raceway

Dimensions

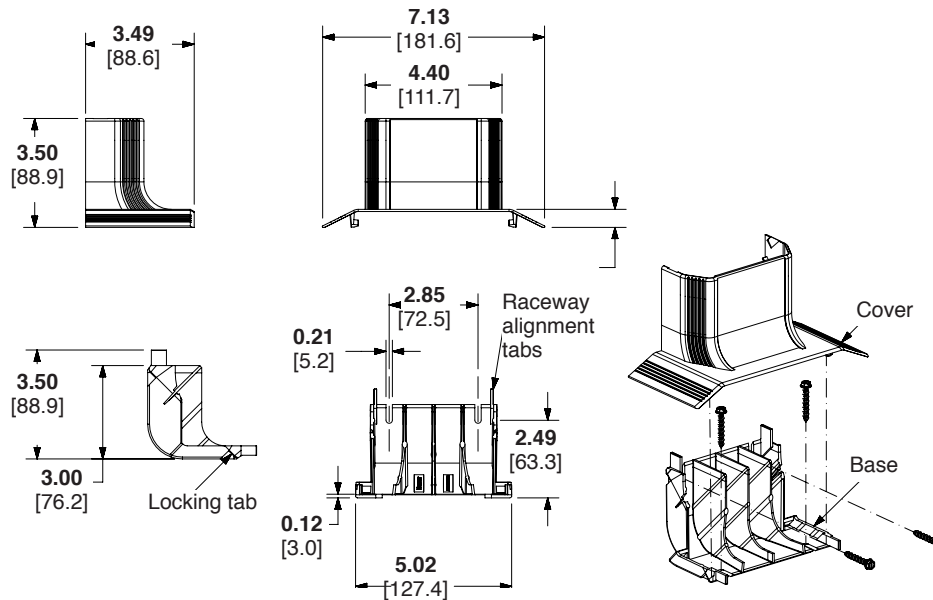
AFR4JB2S



AFR4RA



AFR4TRT70



Dimensions are in inches. [Dimensions in brackets are metric.]

WORLDWIDE SUBSIDIARIES AND SALES OFFICES

PANDUIT US/CANADA
Phone: 800.777.3300

PANDUIT EUROPE LTD.
London, UK
Phone: 44.20.8601.7200

PANDUIT SINGAPORE PTE. LTD.
Republic of Singapore
Phone: 65.6305.7575

PANDUIT JAPAN
Tokyo, Japan
Phone: 81.3.6863.6000

PANDUIT LATIN AMERICA
Guadalajara, Mexico
Phone: 52.33.3777.6000

PANDUIT AUSTRALIA PTY. LTD.
Victoria, Australia
Phone: 61.3.9794.9020

For a copy of Panduit product warranties, log on to www.panduit.com/warranty

PANDUIT®

Visit us at www.panduit.com
Contact Customer Service by email: cs@panduit.com
or by phone: 800.777.3300

©2018 Panduit Corp.
ALL RIGHTS RESERVED.
SRSP32--WW-ENG
3/2018